



KOERZIMAT 1.097 MS

MS measuring systems



Content

Application	3
Test method	3
Measured variable	3
Applications	3
Mode of action and function	4
Sample mass and sensitivity of the measuring system	4
KOERZIMAT 1.097 MS 31 × 69	5
Features	5
KOERZIMAT 1.097 MS 26 × 60	6
Features	6
KOERZIMAT Controller / Software MS	7
Features	7
Technical Data	8
KOERZIMAT 1.097 MS 31 × 69	8
KOERZIMAT 1.097 MS 26 × 60	9
Standard function packages	10
KOERZIMAT 1.097 MS 26 × 60	10
KOERZIMAT 1.097 MS 31 × 69	10
KOERZIMAT Controller + KOERZIMAT MS Software	10
Additional software option	10
KOERZIMAT MS Software -Magnetic Phase-	10
Calibration standards	10
Calibration standard MS Nickel	10
Analytical balance / density kit	11
MX204 analytical balance	11
Density kit for MX204	11
Optional sample slides for KOERZIMAT 1.097 MS 26 × 60	11
Sample pusher for round rods with Ø 3–10 mm	11
Sample pusher for round rods with Ø 10–15 mm	11

Application

In the production of steels, hard metals and powder metallurgical components, magnetic quantities such as coercive field strength H_cJ , weight-specific saturation polarization σ_s and volume-specific saturation polarization J_s correlate with a large number of important process parameters and material properties.

With the KOERZIMAT 1.097 MS, FOERSTER offers a measuring system for the precise, automatic and fast measurement of the weight-specific saturation polarization σ_s and the volume-specific saturation polarization J_s . The largely geometry-independent (i.e. no predefined shape required) measurement in an open magnetic circuit allows complex-shaped samples in particular to be examined.

Test method

- Pull-off method according to IEC-60404-14

Measured variable

- Magnetic dipole moment j [Vsm] or $[T \cdot m^3]$
- Weight-specific (alternatively: mass-related) saturation magnetization density σ_s $[T \cdot m^3 / kg]$
- Volume-specific saturation polarization J_s [Tesla]
- Magnetic material content MA [%]
- Tungsten dissolved in cobalt W [%]
- Magnetic phase of a steel alloy MP [%]

Applications

- Testing of hard metals according to ASTM B886
- Control of the degree of sintering in the carbide sintering process
- Control of the carbon balance / degree of carbonization [Eta phase] in hard metals
- Determination of the tungsten content dissolved in cobalt in hard metals
- Determination of the free iron, cobalt or nickel content in powders / hard metals
- Determination of the saturation polarization J_s in Tesla on soft magnetic circuit components
- Indirect density control on soft magnetic materials produced by powder metallurgy
- Research and development of new alloys and magnetic components
- Determination of the theoretical magnetic phase of a steel alloy according to Hoselitz
- Indirect determination of martensite / austenite / ferrite on stainless / duplex steels

Mode of action and function

The KOERZIMAT 1.097 MS systems consist of a strong permanent magnet (Halbach system) with a large air gap for holding the samples.

A pneumatic or manual guide mechanism with a sample pusher positions the sample in the homogeneous field area of the magnet. When the sample is pulled out, the magnetic dipole moment j is measured using the Helmholtz measuring coils and a fluxmeter.

A precision balance is required to determine the weight/volume-specific saturation polarization. The mass of the sample is determined and automatically transferred to the KOERZIMAT controller. To determine the volume-specific saturation polarization J_s , the volume or density of the sample is also required.

Sample mass and sensitivity of the measuring system

Depending on the measuring range, the following maximum sample masses can be measured:

- Pure cobalt (Co) 16 g (standard) 40 g (extended)
- Pure iron (Fe) 12 g (standard) 30 g (extended)

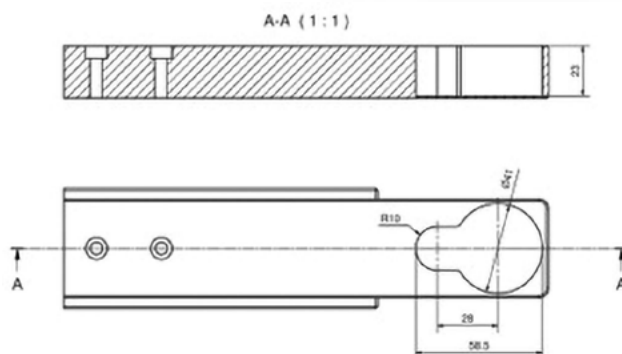
The lowest limit for the sensitivity of the sample mass:

- Pure cobalt (Co) 0.5 mg (MS 31 × 69) 0.1 mg (MS 26 × 60)

KOERZIMAT 1.097 MS 31 × 69

Features

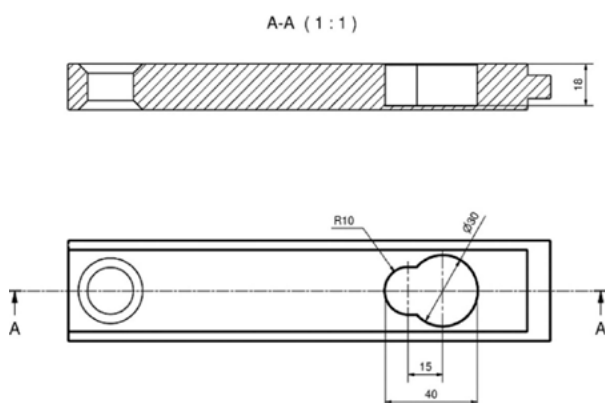
- High sensitivity for small samples ≥ 1 g
- Very large sample chamber up to approx. 200 g sample mass
- Compact, lightweight design thanks to Halbach system
- Pneumatically actuated sample pusher
- Geometry-independent measurement
- Automatic slider compensation
- Holding and fixing the samples using test inserts
- Traceable calibration to national standards [PTB]
- Accessory kit with inserts for test recording
- Sample chamber approx. 41 × 58.5 × 23 mm



KOERZIMAT 1.097 MS 26 × 60

Features

- Highest sensitivity for the smallest samples ≥ 0.5 g
- Large sample chamber up to approx. 50 g sample mass
- Compact, lightweight design thanks to half-axis system
- Manually operated sample slide
- Sample pusher for round bars $\varnothing 3\text{--}10$ mm / 10–15 mm
- Geometry-independent measurement
- Automatic slider compensation
- Holding and fixing the samples using test inserts
- Traceable calibration to national standards [PTB]
- Accessory kit with inserts for test recording
- Sample space approx. 30 × 40 × 18 mm



KOERZIMAT Controller / Software MS

The compact KOERZIMAT controller with MS software forms a single unit as a display and user interface for measuring saturation polarization. The KOERZIMAT MS software runs under Windows Pro 10 (Windows 8 and 11), providing intuitive functionalities and thus positively influencing the workflow.

The data from all measurements are saved in database files (FOERSTER's own format from software version 6.0) and can be printed out in a report or exported as a text file for further processing.



Features

- User interface in the languages: German, English, Japanese
- WINDOWS 10 country settings / languages - switchable online
- Touchscreen operation
- Clearly structured display fields for measurement settings, results displayed as a list
- Measurement series curve, histogram, sorting groups, statistics
- Generating, printing, and exporting measured values / statistics
- Password-protected user levels for the administration of functions / user rights
- FOERSTER's own database format as software version 6.0, storage of measurement data and parameters
- Synchronization of the database with simultaneous MS and HCJ measurement
- Data export via data interface in XML format (from software version 6.1)
- Remote client program included in scope of delivery

Technical Data

KOERZIMAT 1.097 MS 31 × 69

	Value
Display elements	8 LEDs for status display
Largest test mass	approx. 200 g
Sample room dimensions (W×L×H)	41×58.5×23 mm
Magnetic flux density (in the geometric center)	≥1,05 T
Homogeneous area	Ø = 32 mm, h = 21 mm
Temperature coefficient	12.5×10^{-11} Vsm/K ≈ 0.625 mg Co/K
Noise	5×10^{-11} Vsm ≈ 0.25 mg Co
Sensitivity	1×10^{-10} Vsm ≈ 0.5 mg Co e.g. 1 g sample with 10 % cobalt content (100 mg) is 200 times higher than the sensitivity of the system
Measurement uncertainty for calibration with Ni standard	< 0.5 % of the measured value
Linearity (% of measuring range end value)	± 0.1 %
Temperature range	+5 °C to +45 °C
Measuring time	approx. 10 s (without mass or weight determination)
LAN interface	100 MBit
Interface I/O port	15-pin (start button and 4 PLC inputs / outputs 24 V)
Power supply	Plug-in power supply 100 to 240 V, 50/60 Hz
Power consumption	approx. 2 W
Compressed air connection	via quick coupling on filter regulator unit 6 bar
Dimensions measuring system (W×H×L)	approx. 265×280×460 mm
Mass	approx. 29 kg
Protection class	IP53
Test standards / test methods	IEC 60404-14 / ASTM B886

KOERZIMAT 1.097 MS 26 × 60

	Value
Display elements	8 LEDs for status display
Largest test mass	approx. 50 g
Sample room dimensions (W×L×H)	30×40×18 mm
Homogeneous area	Ø = 26 mm, h = 16 mm
Magnetic flux density (in the geometric center)	≥1,00 T
Temperature coefficient	2.5×10^{-11} Vsm/K ≈ 0.125 mg Co/K
Noise	1×10^{-11} Vsm ≈ 0.05 mg Co
Sensitivity	2×10^{-11} Vsm ≈ 0.1 mg Co e.g. 1 g sample with 10 % cobalt content (100 mg) exceeds the sensitivity of the system by a factor of 1000
Measurement uncertainty for calibration with Ni standard	< 0.5 % of the measured value
Linearity (% of measuring range end value)	± 0.1 %
Temperature range	+5 °C to +45 °C
Measuring time	3 s (without mass or weight determination)
Interface: LAN	100 MBit
Power supply	Plug-in power supply 100 to 240 V, 50/60 Hz
Power consumption	approx. 2 W
Dimensions measuring system (W×H×L)	approx. 172×217×230 mm
Mass	approx. 13.9 kg
Protection class	IP 53
Test standards / test methods	IEC 60404-14 / ASTM B886

Standard function packages

KOERZIMAT 1.097 MS 26 × 60

consisting of:

- KOERZIMAT 1.097 MS 26 × 60 mm
- Accessory Kit 26 × 60

KOERZIMAT 1.097 MS 31 × 69

consisting of:

- KOERZIMAT 1.097 MS 31 × 69 mm
- Accessory Kit 31 × 69

KOERZIMAT Controller + KOERZIMAT MS Software

consisting of:

- 23.8" Full HD (1,920×1,080, 16:9) Touchscreen
- Processor: Intel Core i5-12500, 3,0 GHz
- RAM: 8 GB (1 × 8 GB) DDR4-Memory without ECC
- Hard Disk: 256 GB SSD
- Intel UHD Graphics 770
- 1 × DisplayPort, 1 × HDMI
- 1 × LAN, 1 × USB 3.2 Typ C, 4 × USB 3.2 type A
- Bluetooth, WLAN
- Optical mouse with USB cable
- Keyboard USB
- Language change
- Windows 10 Pro 64-bit
- KOERZIMAT MS software with dongle (compatible with Windows 8 and 11)

Additional software option

KOERZIMAT MS Software -Magnetic Phase-

[Not included in the standard KOERZIMAT MS software]

Calibration standards

Calibration standard MS Nickel

$\sigma_s \approx 690 \times 10^{-7} \text{ T} \cdot \text{m} / \text{kg}^3$

with factory certificate

Analytical balance / density kit

MX204 analytical balance

incl. draft shield - Make: METTLER TOLEDO

Weighing range: up to 220 g

Readability: 0.1 mg

Density kit for MX204

Make: METTLER TOLEDO

Optional sample slides for KOERZIMAT 1.097 MS 26 × 60

Sample pusher for round rods with \varnothing 3–10 mm

Sample pusher for round rods with \varnothing 10–15 mm



foerstergroup.com



The FOERSTER Group is represented by subsidiaries and representatives in over 60 countries worldwide. You can find a complete overview on our website.

Headquarters

Institut Dr. Foerster GmbH & Co. KG

In Laisen 70

72766 Reutlingen

Germany

+49 7121 140 0

info@foerstergroup.com

